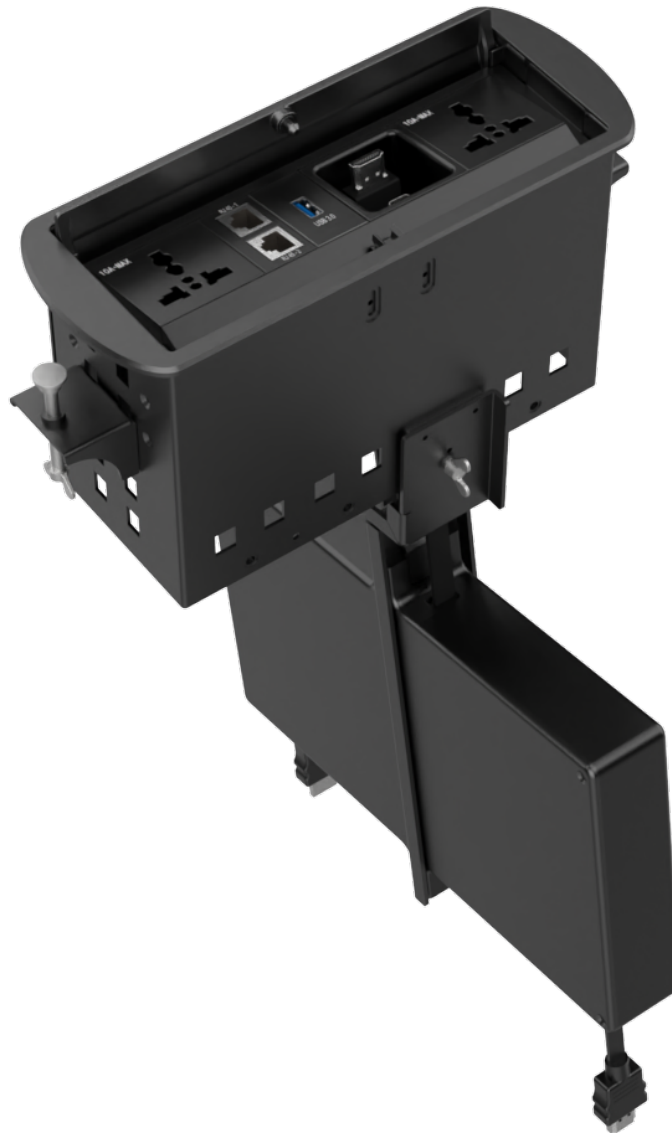


iBox Flex2

Modular Table Box System

User Manual V1.0



CONTENTS

1. INTRODUCTION	3
1.1 OVERVIEW	3
1.1.1 <i>Description</i>	3
1.1.2 <i>Key Features</i>	3
1.1.3 <i>Why Do You Need It?</i>	4
1.1.4 <i>Common Applications</i>	4
1.1.5 <i>Product Benefits</i>	4
1.2 BASE BOX (MAIN CHASSIS)	5
1.3 OPTIONAL MODULERS	6
1.3.1 <i>Non-retractable modulars</i>	6
1.3.2 <i>retractable modulars</i>	9
2. CHECK WHAT IN THE BOX	10
3. PRODUCT VIEW	11
4. OVERALL DIMENSIONS (MM).....	12
5. PACKAGE LIST	13
6. INSTALLATION STEPS	13
6.1 BASE BOX & NON-RETRACTABLE MODULARS INSTALLATION.....	13
6.2 RETRACTOR MODULARS INSTALLATION	15



1. INTRODUCTION

1.1 OVERVIEW

1.1.1 DESCRIPTION

The **iBox Flex2** Modular Table Box is an architectural-grade, in-desk connectivity solution designed to seamlessly integrate power, data, and audio-visual (AV) ports directly into a workspace surface. Built from heavy-duty materials like brushed anodized aluminum or steel, this table box features customizable, interchangeable module slots. The hardware installs flush into the tabletop with a flip-up lid, ensuring connections remain entirely out of sight when not in use.

1.1.2 KEY FEATURES

- **Interchangeable Modular Design:** Swappable connection plates can be mixed and matched with AC power sockets, USB-A and USB-C 3.0 Data, full feature USB-C, 4K HDMI, RJ45 Ethernet, 2x1 4K HDMI switching modular and dedicated USB-A and USB-C 65W PD charging modular.
- **Clean Access Mechanisms:** Features fluid, soft-closing pocket doors, manual tilt-up panels, that conceal ports.
- **Under-Table Cable Management:** Equipped with internal cable organizer trays or dynamic pull-out cable retractors to guide wiring seamlessly beneath the floor or wall.
- **Tool-Free Snap-In Mechanism:** Modules clip instantly into the main chassis using precise-space retention tabs, eliminating the need for mounting screws, screwdrivers, or hardware tools.
- **Screwdriver-free Locks:** Utilizes quick-release butterfly locks that grip the underside of the table cutout safely, securing the entire box casing in seconds.
- **High-Performance Retractable Modular System Features:**
 - ✓ **4K Ultra-HD HDMI Module:** Supports seamless 4K UHD video passthrough at high refresh rates. This delivers crisp, lag-free picture quality for presentations, video conferences, or gaming on big screens.
 - ✓ **Full-Feature USB-C Interface:** t concurrently manages high-speed data transfers and display outputs over a single connection.
 - ✓ **High-Speed RJ45 Ethernet:** Provides an Ethernet passthrough connection to guarantee stable, secure, and lightning-fast wired internet access. This bypasses weak or congested hotel or office Wi-Fi networks.
 - ✓ **Dedicated USB-A Port:** Houses a reliable, smart-charging USB-A terminal to supply direct power and data transfers for smartphones, accessories, and older USB peripherals.
- **Extended Reach Upper-Desk Retraction**



- ✓ **1,500mm (4.9 ft) Extension Range:** Extends up to 1.5 meters from the table surface, allowing guests or coworkers to comfortably sit back, pull the cable to their device, and work from anywhere around the desk radius.
- ✓ **Smooth Pull-and-Lock System:** Features an intuitive "pull and stop" mechanism that keeps the exact amount of cord extended without constant counter-tension pulling back on the device.
- ✓ **Tensioned Automatically Retraction:** Automatically recoils smoothly back into the desk housing with a gentle tug. This protects internal wiring and keeps the work surface completely free of tangled wires.

1.1.3 WHY DO YOU NEED IT?

Without an integrated table box, modern workspaces suffer from **"cable chaos"** where extension cords dangle over desk edges, posing severe tripping hazards. Users face a constant scramble for wall outlets, forcing awkward seating arrangements during crucial strategy sessions. A modular system solves this by bringing critical building infrastructure directly to the user's fingertips, eliminating clutter and maximizing functional surface area.

1.1.4 COMMON APPLICATIONS

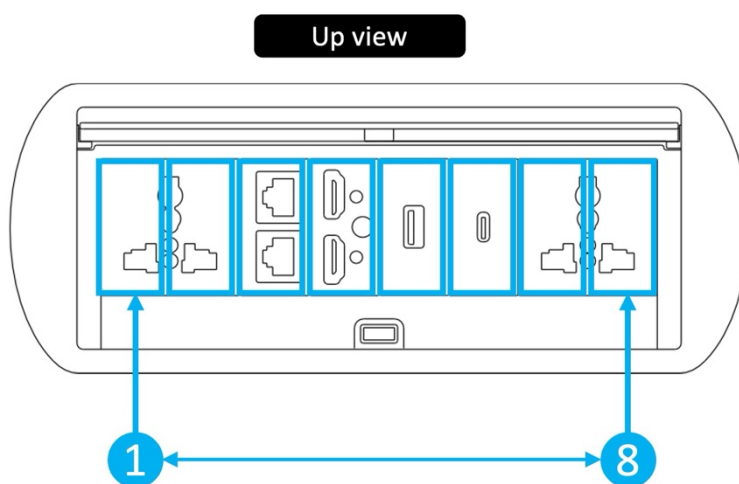
- **Corporate Boardrooms & Meeting Spaces:** Centralizes AV and power hookups for presentation laptops, video conferencing systems, and smart boards.
- **Hot-Desking & Coworking Hubs:** Provides rapid **"plug-and-play"** workstation power and network stability for rotating remote employees.
- **Smart Classrooms & Training Rooms:** Supports multiple active user devices, allowing students or trainees to hook up hardware without interrupting sightlines.
- **Executive Desks & Home Offices:** Enhances high-end workstations with minimalist, hidden aesthetic power routing.
- **Hospitality/ Hotels:** In-Room Executive Desks & Media Hubs, that features an HDMI port paired with auto-input switching. Guests can plug in laptops, tablets, or gaming consoles to instantly stream 4K movies, Netflix, or presentations directly onto the main hotel TV.

1.1.5 PRODUCT BENEFITS

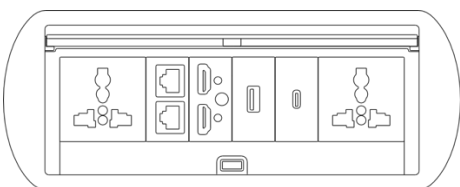
- **Future-Proof Adaptability:** As connectivity standards evolve (such as transitioning from older HDMI versions to USB-C power delivery), you can swap out internal individual plates rather than buying an entirely new table or cutting new furniture slots.
- **Enhanced Collaboration:** Streamlines meeting productivity by facilitating instant screen-sharing and seamless device switching for hybrid teams.

- **Professional Aesthetics:** Hides messy wire bundles to ensure the room remains polished, neat, and highly client-ready at all times.
- **Enhanced Safety:** Keeps heavy power bricks and voltage lines securely contained underneath the desk body, dramatically reducing the risk of office accidents.

1.2 BASE BOX (MAIN CHASSIS)



Picture 1.2: Unite spaces introduction.

Model	Picture	Cutout opening size	Units spaces
iBox Flex2-FR		203*84mm/ 7.99*3.31"	8x

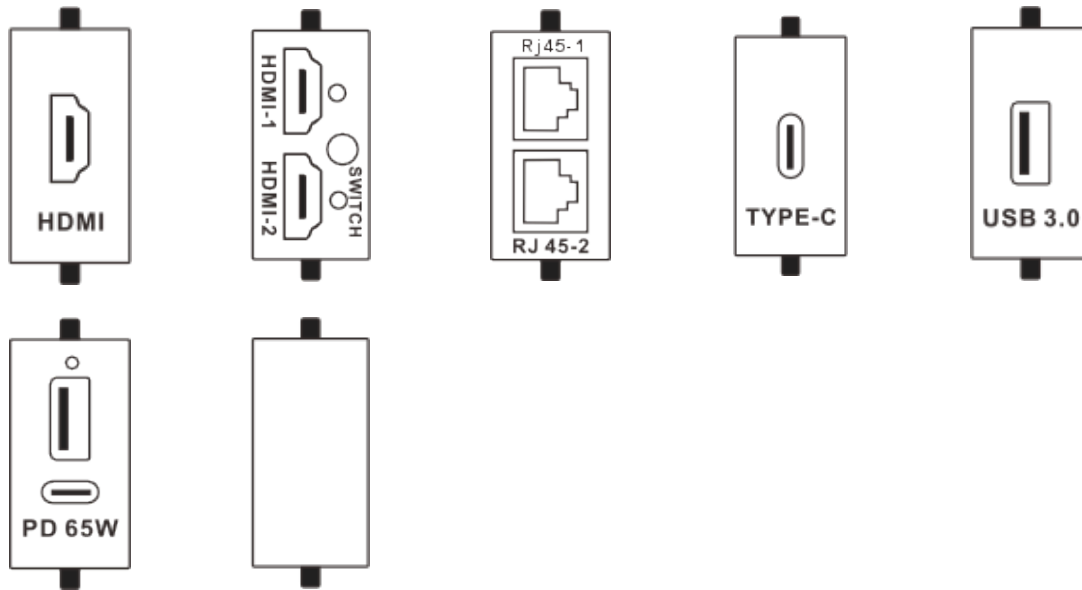
The **iBox Flex2-FR** supports **8x** standard modular's **unit spaces**.

Note: Some modular takes 2x unit spaces.

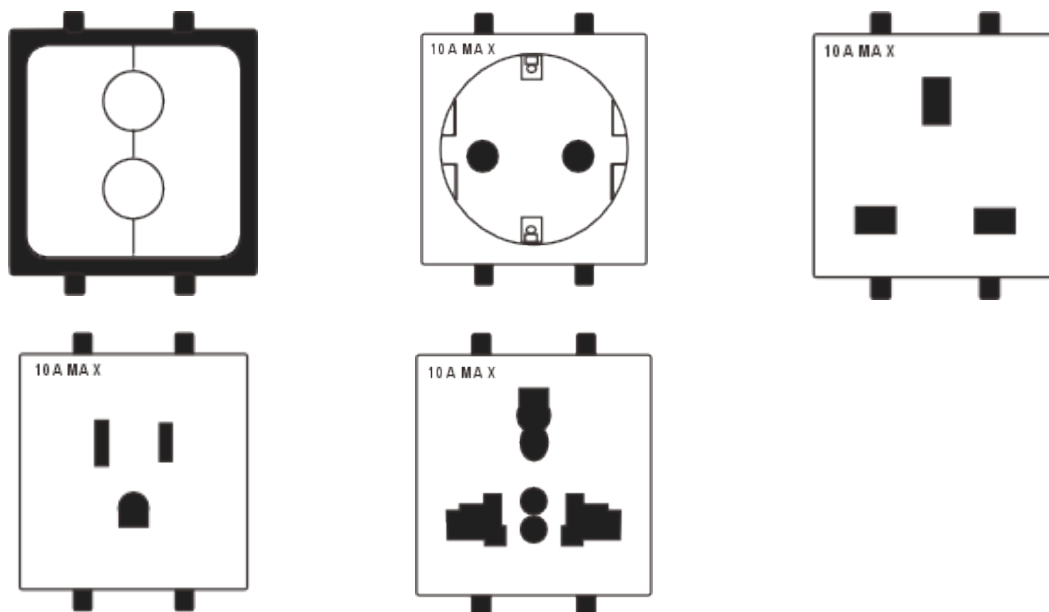
1.3 OPTIONAL MODULERS

1.3.1 NON-RETRACTABLE MODULARS

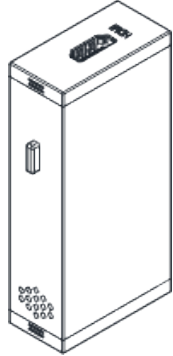
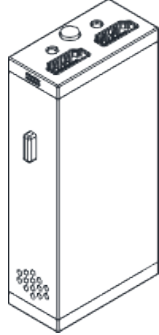
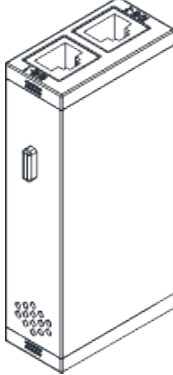
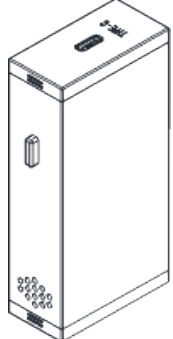
ONE-UNIT MODULARS

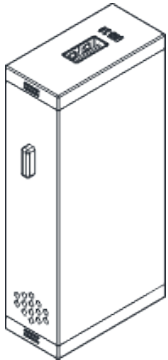
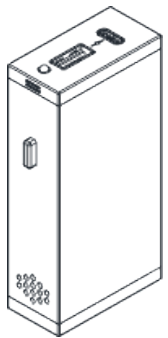
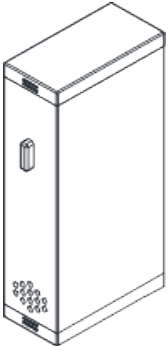
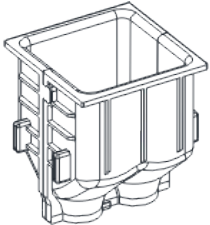
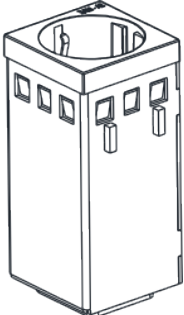


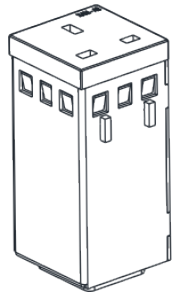
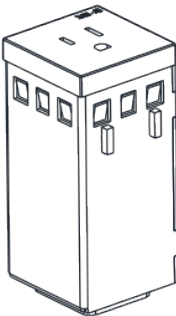
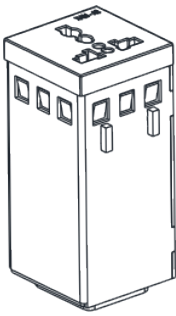
TWO-UNIT MODULARS





SPECIFICATION



Models	Name	Specs	Pictures
iBox Flex2-1H	1x HDMI 2.0 Module	<p>Passive module with 1x HDMI port input female.</p> <p>Output- 1x HDMI female. (4K30Hz)</p>	
iBox Flex2-2H1	2x1 HDMI 2.0 Switching Module	<p>Passive module with 2x HDMI port input female.</p> <p>Output- 1x HDMI female. (4K60Hz, 2-to-1 switching button.)</p>	
iBox Flex2-2N	2x RJ45 Network Module	<p>Passive module with 2x RJ45 ports input.</p> <p>2x female outputs. (S/FTP CAT6a)</p>	
iBox Flex2-1C	1x USB-C Module	<p>Passive module with 1x USB-C FF port input female.</p> <p>Output 1x USB-C female. (Full feature, 4K30Hz, 10Gbps.)</p>	

iBox Flex2-1A	1x USB-A 3.0 Module	Passive module with 1x USB-A FF port input female. Output- 1x USB-A female. (5Gbps Data)	
iBox Flex2-1A1C	1x USB-A and 1x USB-C 65W Charging Module	Input: 100- 250V~50/60Hz 10A Output: TYPE-C: 5V3A/ 9V3A/ 12V3A/ 15V3A/ 20V3.25A (Max. 65W) USB-A: 5V3A/ 9V/2A/ 12V1.5A (Max. 18W)	
iBox Flex2-KB	Blank cover module	Fill in the vacant installation position.	
iBox Flex2-2PS	2x Retractable Passthrough Grommet	Pass-through cable- holder with 2x hole. Accommodates cables up to 10 mm in diameter. (2-Hole)	
iBox Flex2-PWEU	EU Power Outlet Module	Input 100-250V ~50/60Hz 10A Fuse- 10A 250V OUT- Maximum 10A	

iBox Flex2-PWUK	UK Power Outlet Module	Input 100-250V -50/60Hz 10A Fuse- 10A 250V OUT- Maximum 10A	
iBox Flex2-PWUS	US Power Outlet Module	Input 100-250V -50/60Hz 10A Fuse- 10A 250V OUT- Maximum 10A	
iBox Flex2-PWUV	Universal Power Outlet Module	Input 100-250V ~50/60Hz 10A Fuse- 10A 250V OUT- Maximum 10A	

1.3.2 RETRACTABLE MODULARS

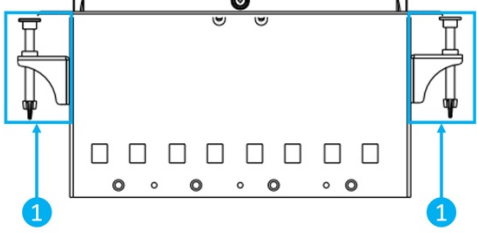
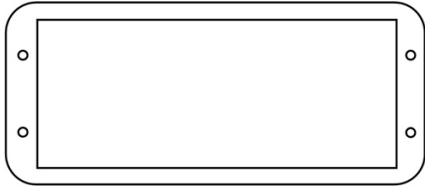
Models	Name	Specs	Pictures
iBox Flex2-RTH	HDMI 2.0 Retractable Module	Upper: Retractable 1,500mm HDMI Male cable. Under: 250-600mm HDMI Male cable.	
iBox Flex2-RTN	RJ45 Network Retractable Module		

iBox Flex2-RTUA	USB-A 3.0 Retractable Module		
iBox Flex2-RTUC	Full-feature USB-C Retractable Module		

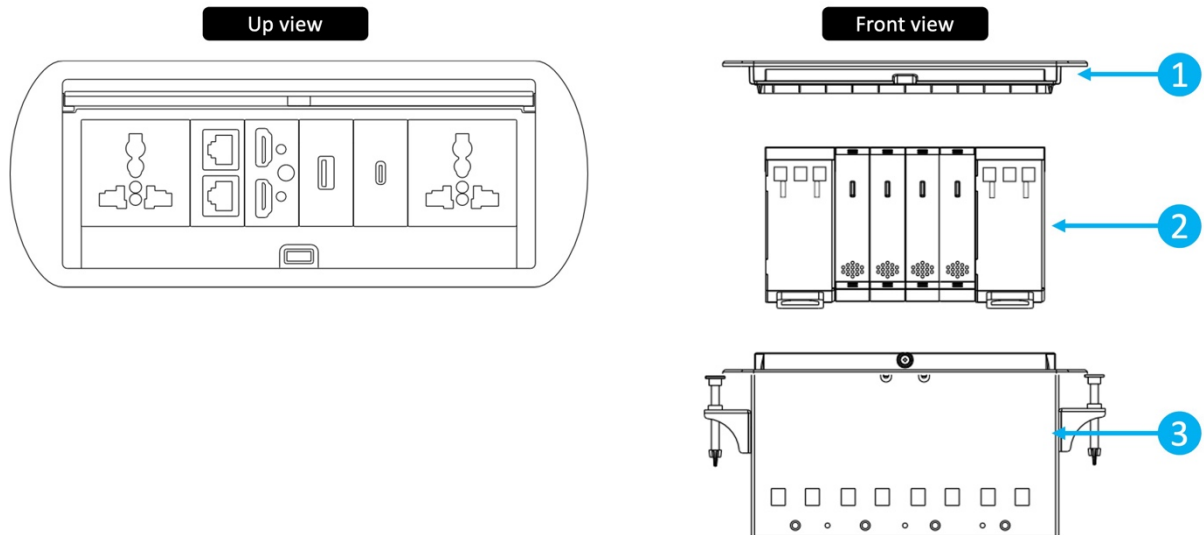
2. CHECK WHAT IN THE BOX

Since the **iBox Flex2** series is modular designed. User shall check all parts after receiving shipment.

In the “**Base Box**” package, it comes with:

No.	Picture	Name	QTY.
1		Installation Locking devices	2x
2		Cutout template	1x

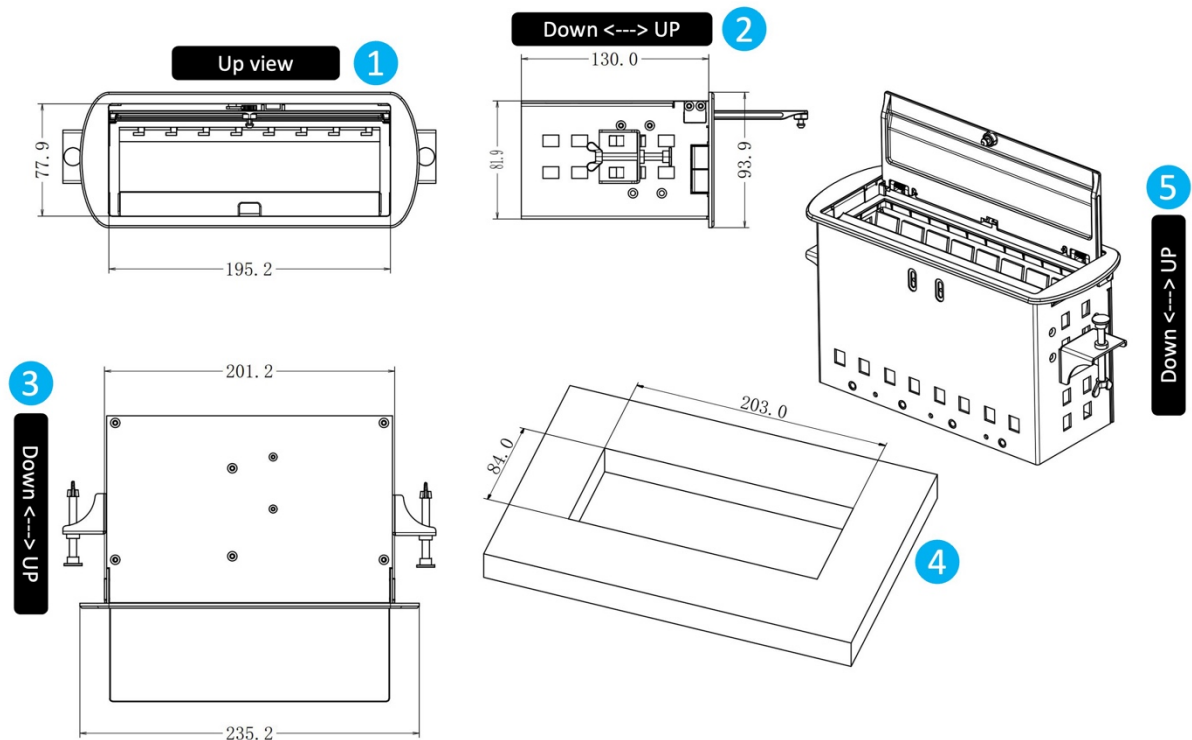
3. PRODUCT VIEW



Picture 3: Overview

NO.	Name
1	Modules Holder Frame (Cover the modules)
2	Modules (Inserted into the base box)
3	Base Box

4. OVERALL DIMENSIONS (MM)



Picture 4: Dimensions

NO.	Name
1	Up view, 195.2*77.9mm
2	Side view, 130.0*81.9mm
3	Base Box, 201.2mm width
4	Cutout template, 203*84mm
5	Overview

5. PACKAGE LIST

Here list all components in the **Base Box** package, all **modules** will be in separated package.

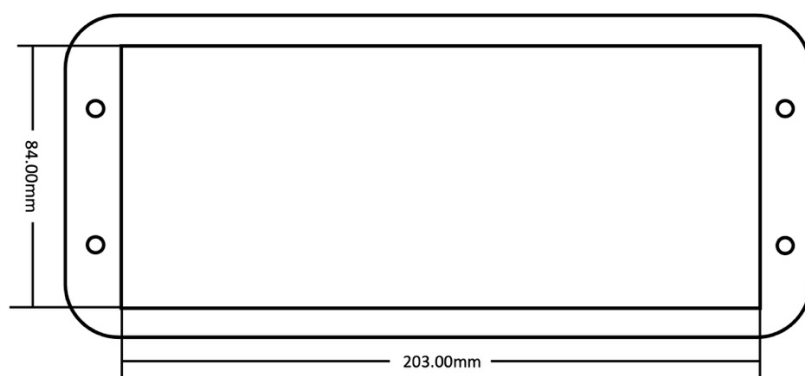
- 1x iBox Flex2 Modular Table Base Box (4 x modules space)
- 2x Mounting Screw
- 1x Cutout Template
- 1x User Manual

6. INSTALLATION STEPS

6.1 BASE BOX & NON-RETRACTABLE MODULARS INSTALLATION

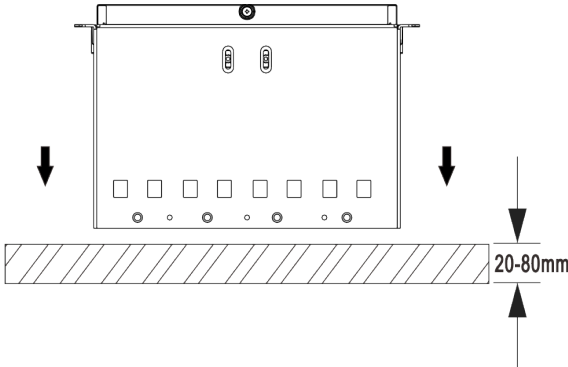
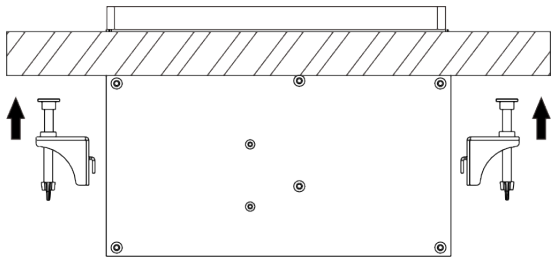
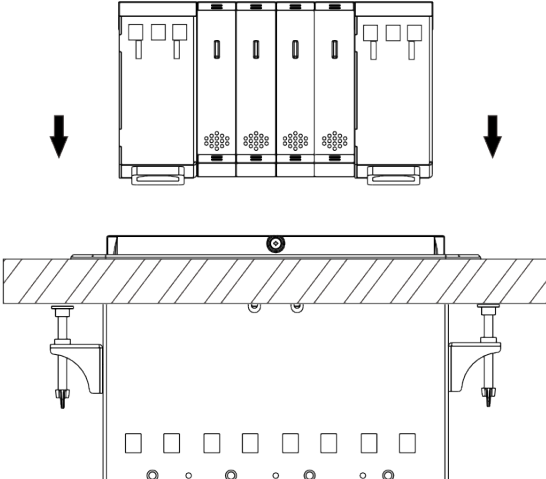
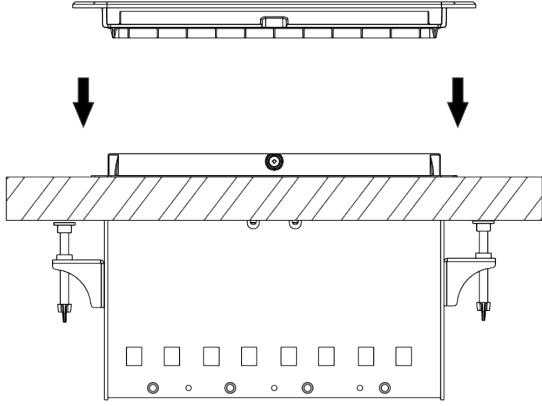
1. CUTOUT

Mark the cutout position on the desk and cut the opening to the specified dimensions. Use the template for best accuracy.



Picture 6.1: Cutout template

Table Cutout Dimension	203x84mm/ 7.99x3.31"
Table Thickness	20-80mm/ 0.787-3.15"

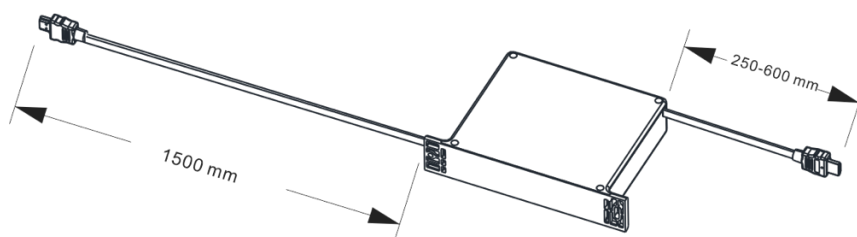
<p>2. IN-TABLE</p> <p>Place the table box into the pre-cut opening in the desk.</p>	<p>3. SECURE</p> <p>Secure the table box to the desk using screws.</p>
	
<p>4. INSERT THE MODULES</p> <p>Arrange modules inside table box as required.</p>	<p>5. INSTALL THE POSITION FRAME</p> <p>Install the magnetic positioning frame into the table box.</p>
	

6.2 RETRACTOR MODULARS INSTALLATION

Retractable modulars option:

Model	Length	Connector
iBox Flex2-RTH	Up: 1,500mm; Down: 250-600mm	HDMI A, Male to Male
iBox Flex2-RTN	Up: 1,500mm; Down: 250-600mm	RJ45, Male to Male
iBox Flex2-RTUA	Up: 1,500mm; Down: 250-600mm	USB-A, Male to Male
iBox Flex2-RTUC	Up: 1,500mm; Down: 250-600mm	USB-C, Male to Male

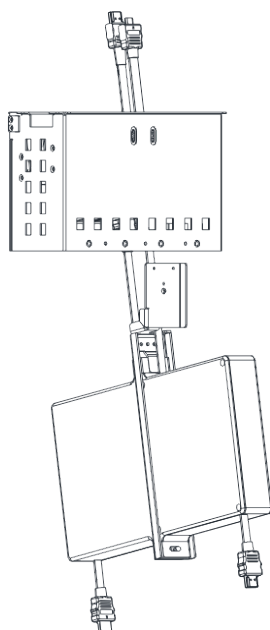
Note: The desktop end can extend a retractable cable length of 1,500mm (59.06"), while the cable length under the desk remains un-changeable at 250-600mm (11.81").



Picture 6.2: Cable length (iBox Flex2-RTH as example)

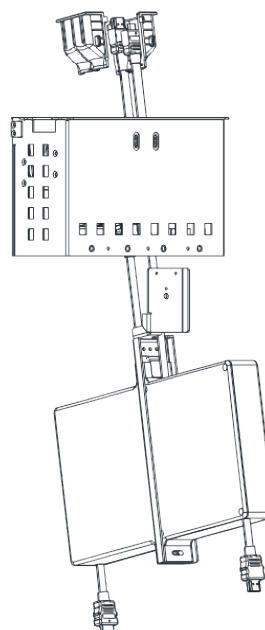
STEP 1: PULLOUT

Pullout the cable out and pass through base box.



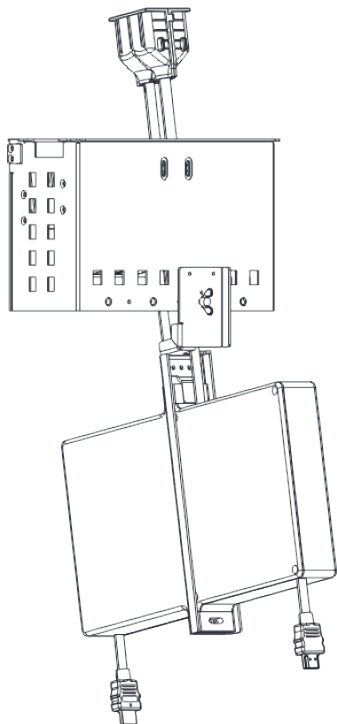
STEP 2. CABLE PASSTHROUGH HOLDER

Pass cables through cable-holder box.



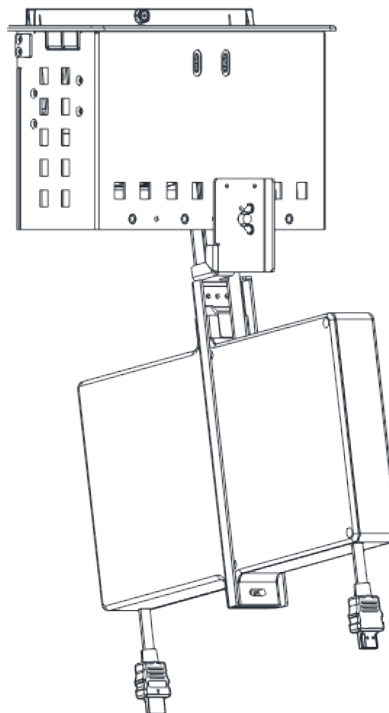
STEP 3. INSTALL CABLE-HOLDER

Insert the cable-holder box into the base box.



STEP 4. INSTALL THE POSITION FRAME

Install the position frame properly. Tighten the butterfly screws.



Scan to view or download manuals, picture, drawing.